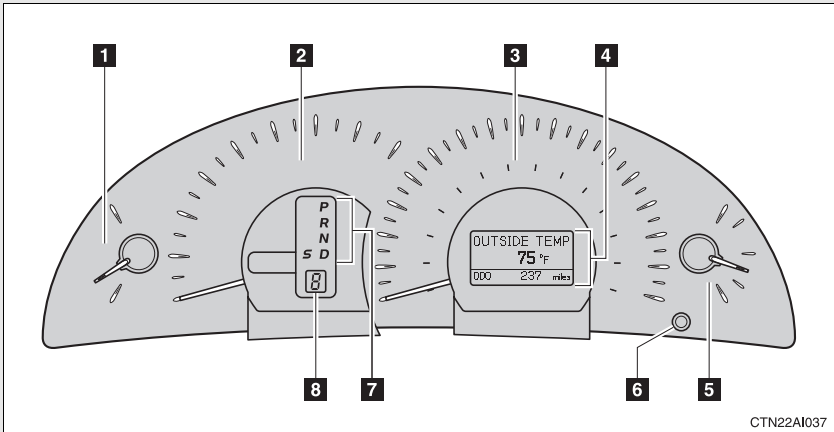


2-2. Instrument cluster

Gauges and meters

► Vehicles with multi-information display



► Vehicles with smart key system

The following gauges, meters and displays illuminate when the "ENGINE START STOP" switch is in IGNITION ON mode.

► Vehicles without smart key system

The following gauges, meters and displays illuminate when the engine switch is in "ON" position.

1 Engine coolant temperature gauge

Displays the engine coolant temperature.

2 Tachometer

Displays the engine speed in revolutions per minute.

3 Speedometer

Displays the vehicle speed.

4 Multi-information display

→P. 149

5 Fuel gauge

Displays the quantity of fuel remaining in the tank.

6 Odometer/trip meter/instrument panel light control and trip meter reset button

Switches between odometer and trip meter displays. Pressing and holding the button will reset the trip meter when the trip meter is being displayed. To adjust the brightness of the instrument panel light, turn the button. (→P. 144)

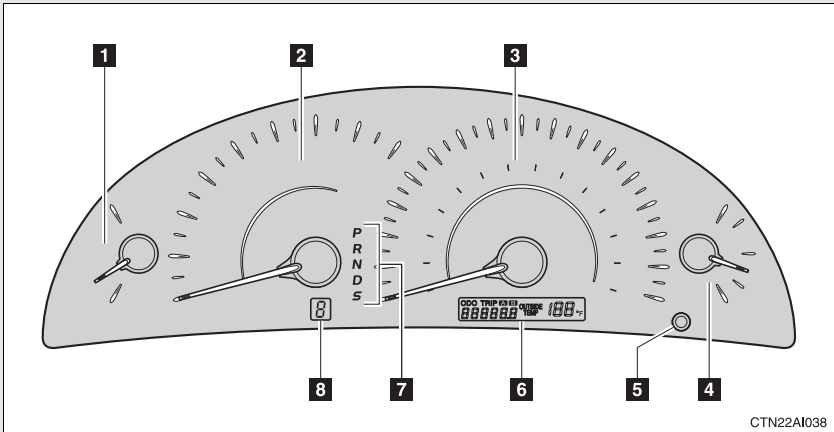
7 Automatic transmission shift position indicator lights

→P. 133

8 Automatic transmission shift range display (if equipped)

→P. 133

► Vehicles without multi-information display



The following gauges, meters and displays illuminate when the engine switch is in “ON” position.

- 1** Engine coolant temperature gauge
Displays the engine coolant temperature.
- 2** Tachometer
Displays the engine speed in revolutions per minute.
- 3** Speedometer
Displays the vehicle speed.
- 4** Fuel gauge
Displays the quantity of fuel remaining in the tank.
- 5** Odometer/trip meter/instrument panel light control and trip meter reset button
Switches between odometer and trip meter displays. Pressing and holding the button will reset the trip meter when the trip meter is being displayed. To adjust the brightness of the instrument panel light, turn the button. (→P. 144)

6 Odometer, trip meter and outside temperature display

Odometer: Displays the total distance the vehicle has been driven.

Trip meter: Displays the distance the vehicle has been driven since the meter was last reset. Trip meters A and B can be used to record and display different distances independently.

Outside temperature: Displays the outside temperature.

7 Automatic transmission shift position indicator lights

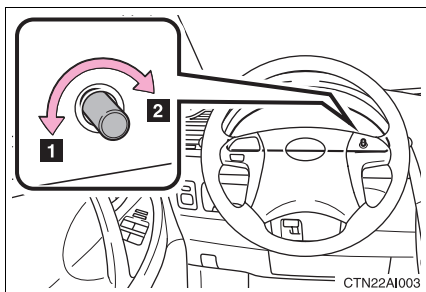
→P. 133

8 Automatic transmission shift range display (if equipped)

→P. 133

Instrument panel light control

The brightness of the instrument panel lights can be adjusted.



1 Darker

2 Brighter

When the headlight switch is turned to on, the brightness will be reduced slightly unless the control dial is turned fully clockwise.

NOTICE

To prevent damage to the engine and its components

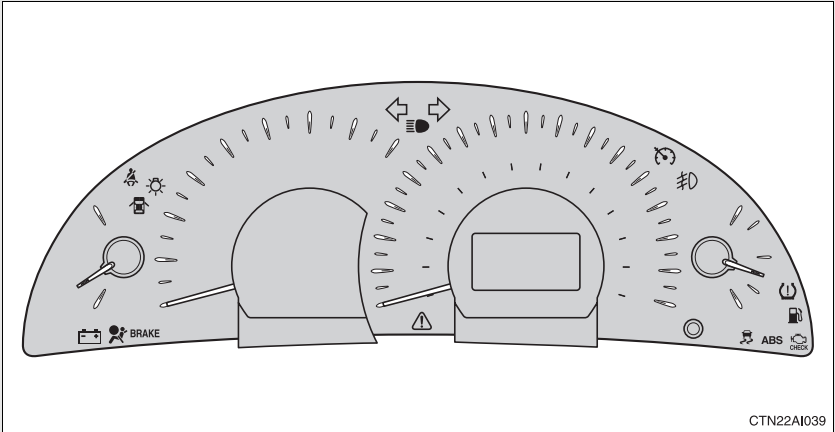
- Do not let the indicator needle of the tachometer enter the red zone, which indicates the maximum engine speed.
- The engine may be overheating if the engine coolant temperature gauge is in the red zone (H). In this case, immediately stop the vehicle in a safe place, and check the engine after it has cooled completely. (→P. 421)

2-2. Instrument cluster

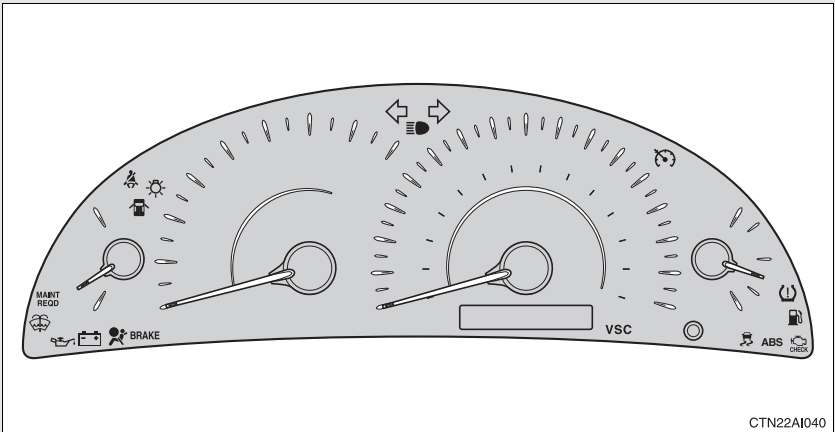
Indicators and warning lights

The indicator and warning lights on the instrument cluster and center panel inform the driver of the status of the vehicle's various systems.

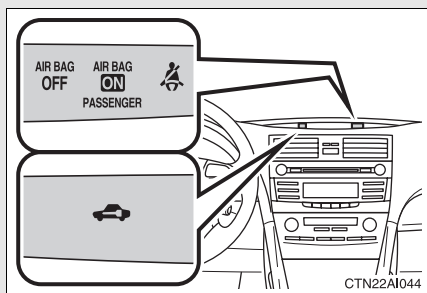
► Instrument cluster (vehicles with multi-information display)



► Instrument cluster (vehicles without multi-information display)



► Center panel



■ Indicators

The indicators inform the driver of the operating state of the vehicle's various systems.



Turn signal indicator
(→P. 138)



Headlight high beam indicator (→P. 153)



Slip indicator
(→P. 162)



(if equipped)

Engine immobilizer/theft deterrent system indicator (→P. 77, 79)



(U.S.A.)

Headlight indicator
(→P. 152)



(CANADA)

Tail light indicator
(→P. 152)



(if equipped)

Front fog light indicator
(→P. 156)



*

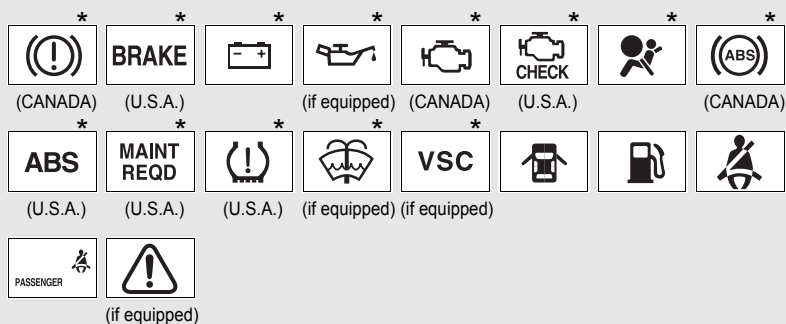
SRS airbag on-off indicator (→P. 96)



Cruise control indicator
(→P. 159)

■ Warning lights

Warning lights inform the driver of malfunctions in any of the vehicle's systems. (→P. 381)



*: These lights turn on when the “ENGINE START STOP” switch is turned to IGNITION ON mode (vehicles with smart key system) or the engine switch is turned to “ON” position (vehicles without smart key system) to indicate that a system check is being performed. They will turn off after the engine is started, or after a few seconds. There may be a malfunction in a system if a light does not come on, or if the lights do not turn off. Have the vehicle inspected by your Toyota dealer for details.

⚠ CAUTION

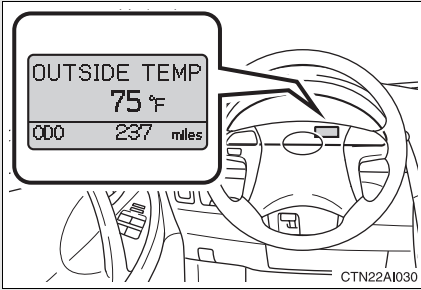
■ If a safety system warning light does not come on

Should a safety system light such as the ABS or the SRS airbag warning light not come on when you start the engine, this could mean that these systems are not available to help protect you in an accident, which could result in death or serious injury. Have the vehicle inspected by your Toyota dealer immediately if this occurs.

2-2. Instrument cluster

Multi-information display (if equipped)

The multi-information display presents the driver with a variety of driving-related data, including the outside temperature.



- Outside temperature display (→P. 150)

Indicates the outside temperature.

- Trip information (→P. 150)

Displays driving range, fuel consumption and other cruising-related information.

- Warning messages (→P. 391)

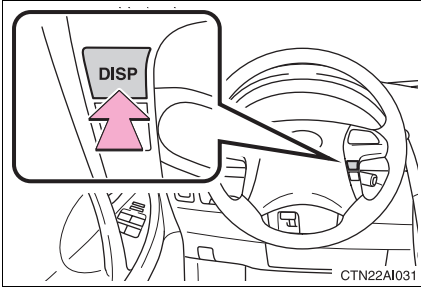
Automatically displayed when a malfunction occurs in one of the vehicle's systems.

- Odometer and trip meter display

Odometer: Displays the total distance the vehicle has been driven.

Trip meter: Displays the distance the vehicle has been driven since the meter was last reset. Trip meters A and B can be used to record and display different distances independently.

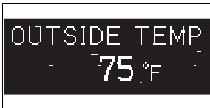
Switch the display



Display items can be switched by pressing the “DISP” button.

The display will return to the outside temperature display when the “DISP” button is pressed and held.

● Outside temperature



Displays the outside air temperature.

The temperature range that can be displayed is from -40°F (-40°C) to 122°F (50°C).

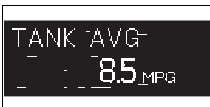
● Cruising range



Displays the estimated maximum distance that can be driven with the quantity of fuel remaining.

- This distance is computed based on your average fuel consumption. As a result, the actual distance that can be driven may differ from that displayed.
- When only a small amount of fuel is added to the tank, the display may not be updated.

● Average fuel consumption after refueling



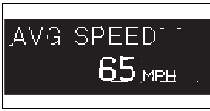
Displays the average fuel consumption since the vehicles was last refueled.

- Driving distance



Displays the driving distance since the engine was started.

- Average vehicle speed



Displays the average vehicle speed since the engine was started.

- Cruise information off



Displays the odometer and trip meters only.

- Zoom display of odometer and trip meter



Displays the odometer and one of the trip meters simultaneously.

 NOTICE

■ The multi-information display at low temperatures

Allow the interior of the vehicle to warm up before using the liquid crystal information display. At extremely low temperatures, the information display monitor may respond slowly, and display changes may be delayed.