

Rear HVAC Vents Blow Hot Air with A/C "ON"

Service Category Vehicle Interior

Section Heating/Air Conditioning

Market USA

Toyota Supports
 ASE Certification 

Applicability

YEAR(S)	MODEL(S)	ADDITIONAL INFORMATION
2005 – 2007	Avalon	

TSB SUPERSESSION NOTICE

The information contained in this TSB supersedes TSB No. AC002–08.

- Step 5 of the Repair Procedure has been updated with additional views and procedures.

TSB No. AC002–08 is Obsolete and any printed versions should be discarded. Be sure to review the entire content of this service bulletin before proceeding.

Introduction

Some customers may experience a condition where the rear center vents blow warmer air than the front center vents. A new HVAC servo motor has been designed to correct this concern. Follow the procedures listed in this bulletin to remove and replace the HVAC servo motor.

Production Change Information

This TSB applies to vehicles produced **BEFORE** the Production Change Effective VIN shown below.

MODEL	PRODUCTION CHANGE EFFECTIVE VIN
Avalon	4T1BK36B*8U254912

Warranty Information

OP CODE	DESCRIPTION	TIME	OFF	T1	T2
AC7007	R & R Damper Servo Sub-assembly	6.2	87106–07110	7A	50

APPLICABLE WARRANTY

- This repair is covered under the Toyota Comprehensive Warranty. This warranty is in effect for 36 months or 36,000 miles, whichever occurs first, from the vehicle's in-service date.
- Warranty application is limited to correction of a problem based upon a customer's specific complaint.

Rear HVAC Vents Blow Hot Air with A/C "ON"

Parts Information

PREVIOUS PART NUMBER	CURRENT PART NUMBER	PART NAME	QTY
87106-07110	87106-06250	Servo Sub-assembly, Damper	1

Required Tools & Equipment

REQUIRED EQUIPMENT	SUPPLIER	QTY
Robinair ROB34200* (or equivalent)	R-134a Refrigerant Recovery/Recycling Machine	1

* Toyota Approved Dealer Equipment

NOTE

Additional refrigerant service equipment may be ordered by calling Toyota Approved Dealer Equipment (ADE) at 1-800-368-6787.

Repair Procedure

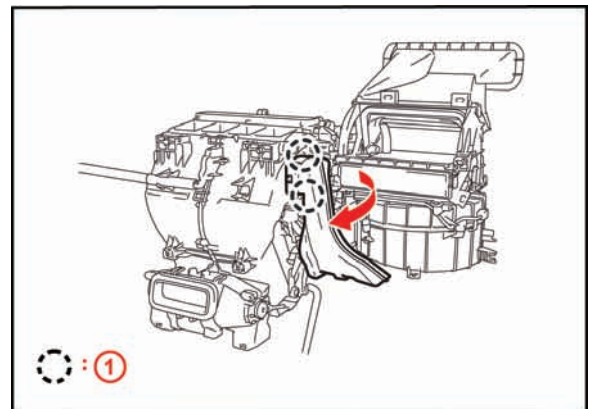
1. Remove the air conditioning unit.

Refer to the Technical Information System (TIS), applicable model and model year Repair Manual:

- [2005](#) model year Avalon Repair Manual, *Vehicle Interior – Heating/Air Conditioning – “Blower Assy: Overhaul”*
- [2006](#) or [2007](#) model year Avalon Repair Manual, *Vehicle Interior – Heating/Air Conditioning – “Air Conditioning: Air Conditioning Unit: Removal”*

2. Remove the No. 2 air duct sub-assembly by releasing the 2 claws as shown in Figure 1.

Figure 1.



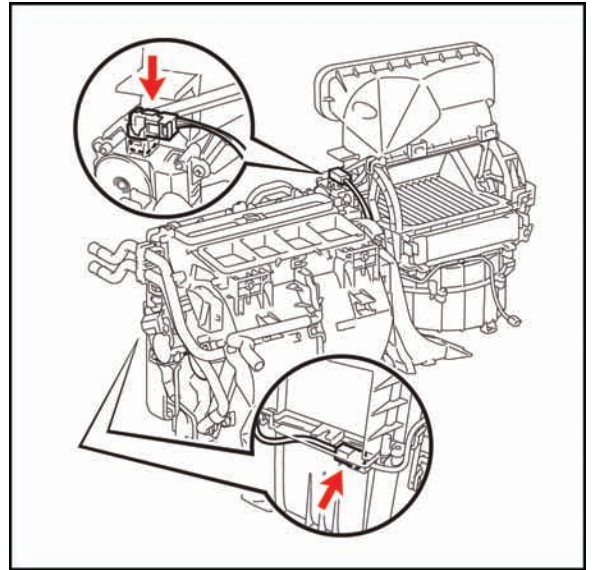
1	Claw
---	------

Rear HVAC Vents Blow Hot Air with A/C "ON"

Repair Procedure (Continued)

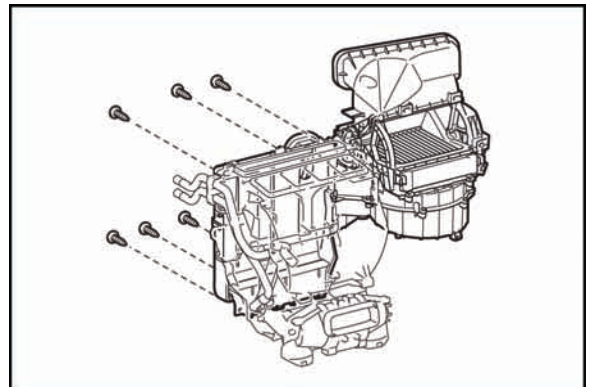
3. Remove the blower assembly.
 - A. Remove the connector and clamp, and disconnect the wire harness.

Figure 2.



- B. Remove the 6 screws and then the blower assembly with the cooler-evaporator sub-assembly.

Figure 3.

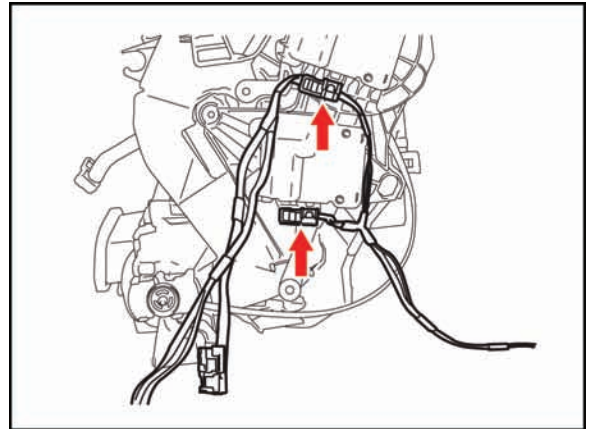


Rear HVAC Vents Blow Hot Air with A/C "ON"

Repair Procedure (Continued)

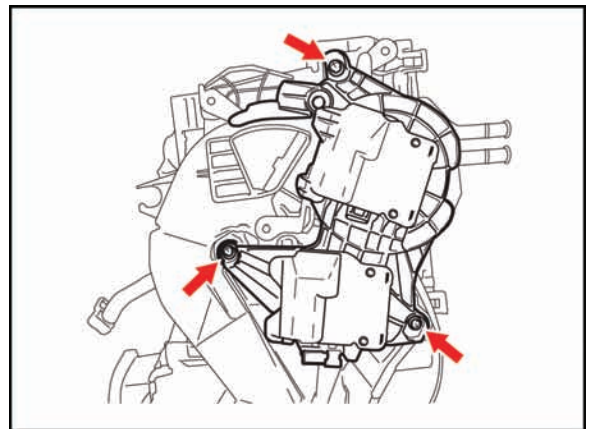
4. Remove the air outlet control servo motor.
 - A. Disconnect the 2 connectors and remove the air conditioner harness.

Figure 4.



- B. Remove the 3 screws and then remove the air outlet control servo motor.

Figure 5.



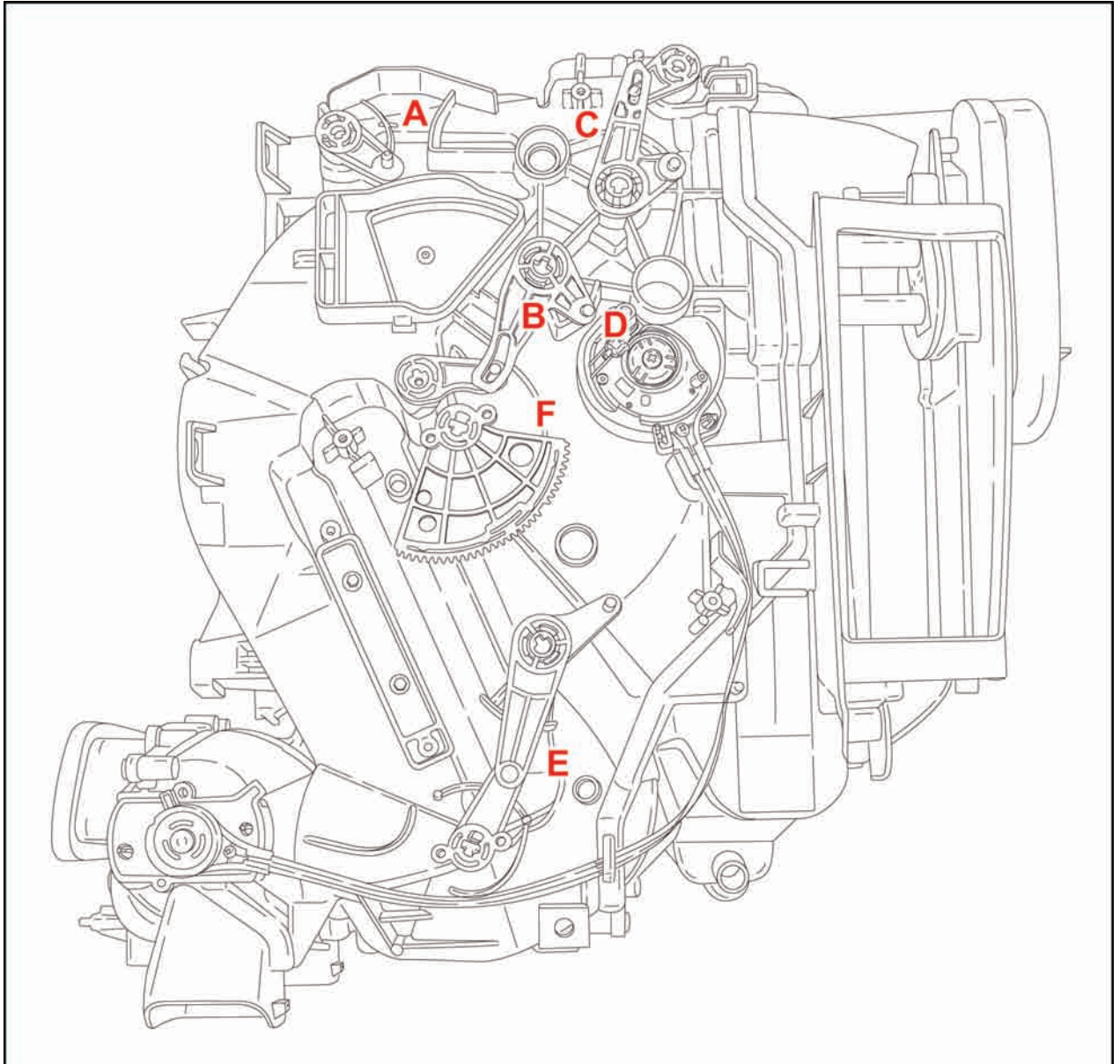
Rear HVAC Vents Blow Hot Air with A/C "ON"

Repair Procedure (Continued)

5. Install the NEW air outlet control servo motor.

A. Align the air conditioning unit servo arms and gears. Refer to Figure 6 and sub-steps (1)-(6).

Figure 6.

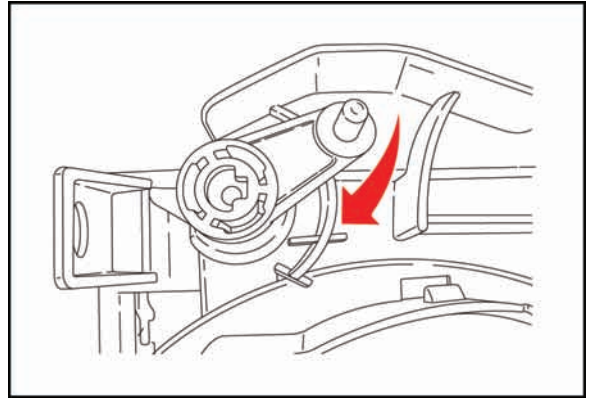


Rear HVAC Vents Blow Hot Air with A/C "ON"

Repair Procedure (Continued)

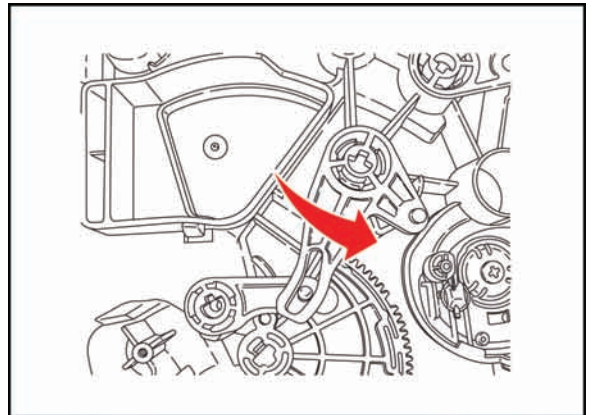
- (1) Rotate arm "A" clockwise until the end of travel.

Figure 7. Arm "A"



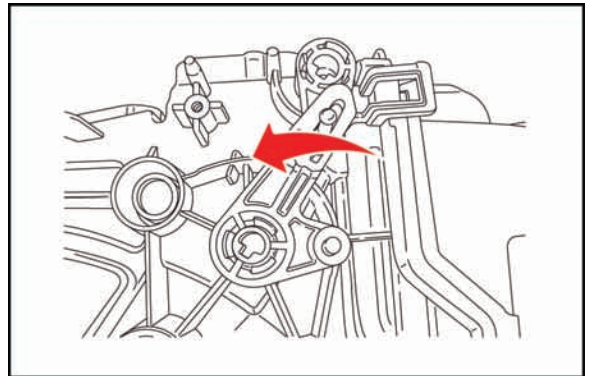
- (2) Rotate arm "B" counter-clockwise until the end of travel.

Figure 8. Arm "B"



- (3) Rotate arm "C" counter-clockwise until the end of travel.

Figure 9. Arm "C"

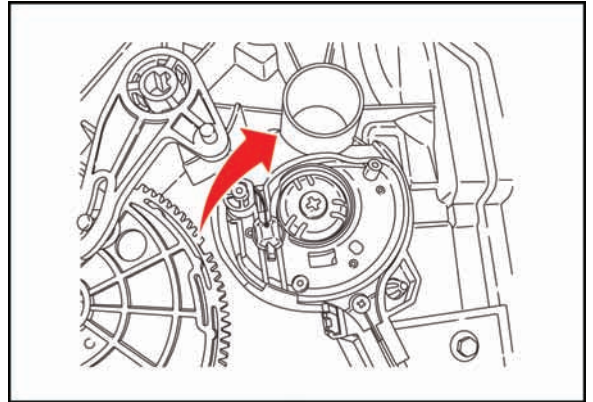


Rear HVAC Vents Blow Hot Air with A/C "ON"

Repair Procedure (Continued)

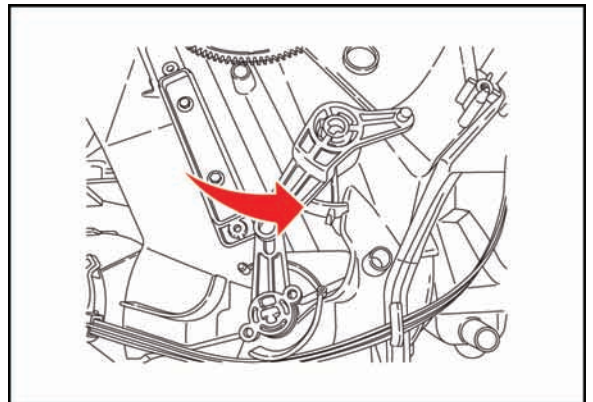
- (4) Rotate cam "D" clockwise until the end of travel.

Figure 10. Cam "D"



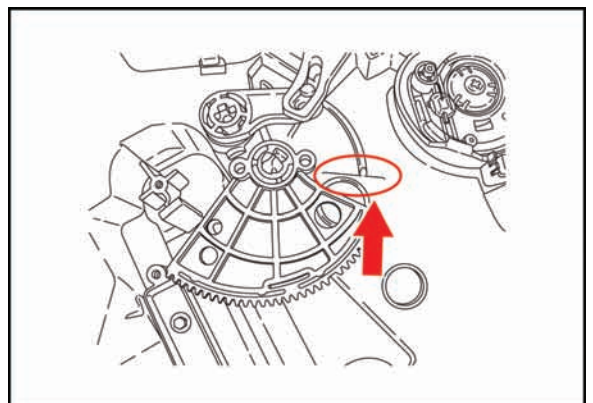
- (5) Rotate arm "E" counter-clockwise until the end of travel.

Figure 11. Arm "E"



- (6) Align the leading edge of "Cam F" with the line casting in the case.

Figure 12. Cam "F"

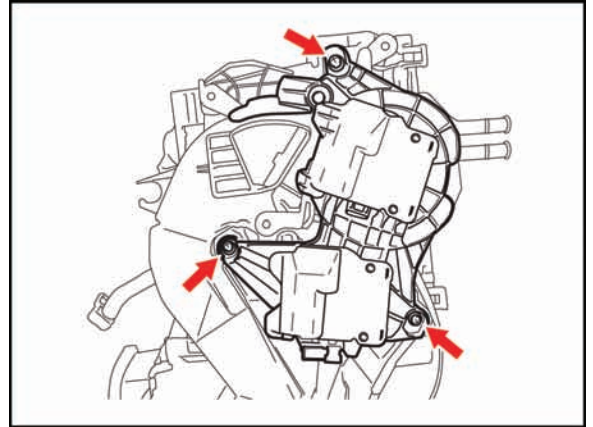


Rear HVAC Vents Blow Hot Air with A/C "ON"

Repair Procedure (Continued)

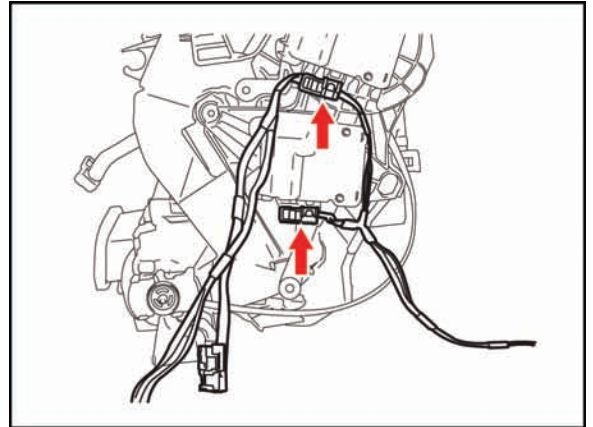
- B. Install the air outlet control servo motor with the 3 screws.

Figure 13.



- C. Install the air conditioner harness and connect the 2 connectors.

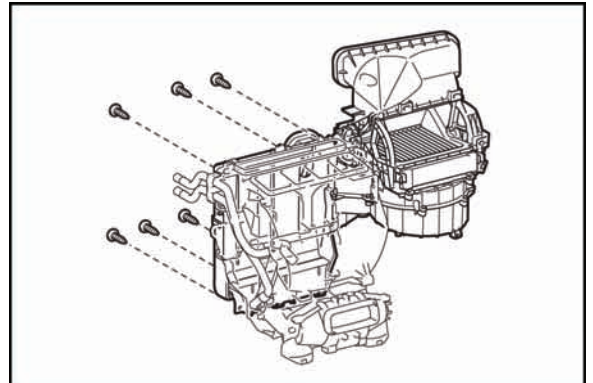
Figure 14.



- 6. Install the blower assembly.

- A. Install the blower assembly with the 6 screws.

Figure 15.

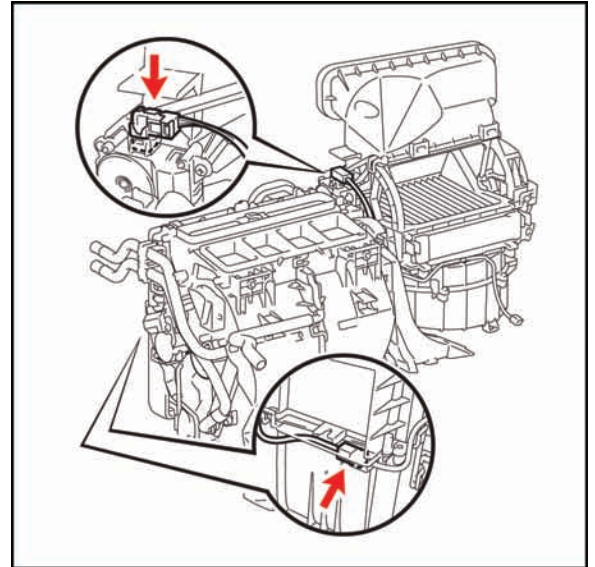


Rear HVAC Vents Blow Hot Air with A/C "ON"

Repair Procedure (Continued)

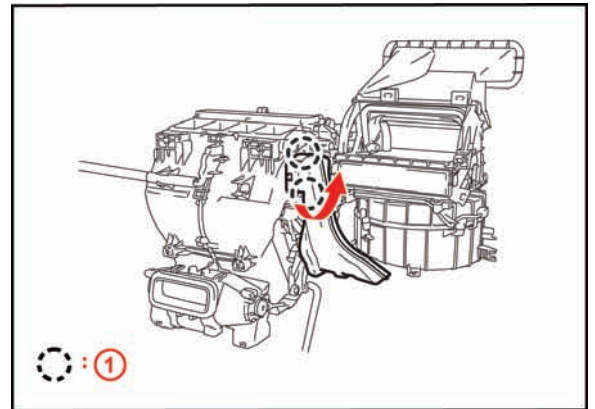
- B. Connect the wire harness and install the connector and clamp.

Figure 16.



- 7. Install the No. 2 air duct sub-assembly by engaging the 2 claws.

Figure 17.



1	Claw
---	------

- 8. Install the air conditioning unit.

Refer to the TIS, applicable model and model year Repair Manual:

- [2005](#) model year Avalon Repair Manual, *Vehicle Interior – Heating/Air Conditioning – “Blower Assy: Overhaul”*
- [2006](#) or [2007](#) model year Avalon Repair Manual, *Vehicle Interior – Heating/Air Conditioning – “Air Conditioning: Air Conditioning Unit: Installation”*

- 9. Verify the heater and air conditioner operate correctly in all modes.