

Center Console Door Will Not Open

Service Category Vehicle Interior

Section Interior Panels/Trim

Market USA

Toyota Supports
 ASE Certification 

Applicability

YEAR(S)	MODEL(S)	ADDITIONAL INFORMATION
2007 – 2009	Camry, Camry HV	WMI(s): 4T1, 4T4

TSB SUPERSESSION NOTICE

The information contained in this TSB supersedes TSB No. BO019–06.

- Applicability has been updated to include 2008-2009 model year Camry vehicles.

TSB No. BO019–06 is Obsolete and any printed versions should be discarded. Be sure to review the entire content of this service bulletin before proceeding.

Introduction

Some 2007-2009 Camry customers may experience a condition where the front center console door will not open due to interference with the lower edge of the HVAC unit. Follow the repair procedure below to address this condition.

Production Change Information

This TSB applies to vehicles produced **BEFORE** the Production Change Effective VINs shown below.

MODEL	DRIVETRAIN	PLANT	LINE	PRODUCTION CHANGE EFFECTIVE VIN
Camry	L4	TMMK	1	4T1BE46K#9U297255
Camry	V6	TMMK	1	4T1BK46K#9U081409
Camry	L4	TMMK	2	4T1BE46K#9U823603
Camry	V6	TMMK	2	4T1BK46K#9U584149
Camry HV	HV	TMMK	2	4T1BB46K#9U073522
Camry	L4	SIA	-	4T4BE46K#9R067762

Warranty Information

OP CODE	DESCRIPTION	TIME	OFF	T1	T2
BD5038	R & R Front Center Console Assembly	0.4	58804-06060	9A	44

Center Console Door Will Not Open

Warranty Information (Continued)

APPLICABLE WARRANTY

- This repair is covered under the Toyota Comprehensive Warranty. This warranty is in effect for 36 months or 36,000 miles, whichever occurs first, from the vehicle's in-service date.
- Warranty application is limited to correction of a problem based upon a customer's specific complaint.

Required Tools & Equipment

SPECIAL SERVICE TOOLS (SST'S)	PART NUMBER	QTY
Plastic Pry Tool Set*	00002-06000-01	1

* Essential SST.

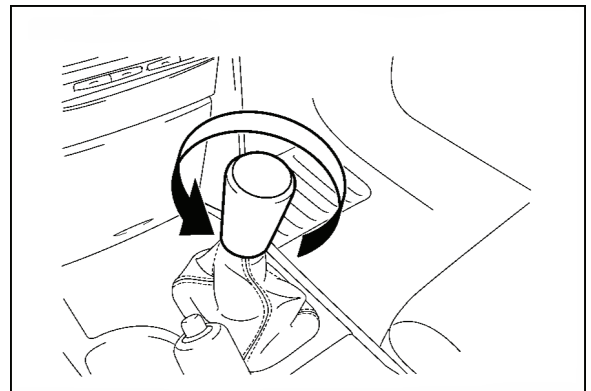
NOTE

Additional SSTs may be ordered by calling SPX/OTC at 1-800-933-8335.

Repair Procedure

1. Remove the shift lever knob sub-assembly by turning it counterclockwise.

Figure 1.

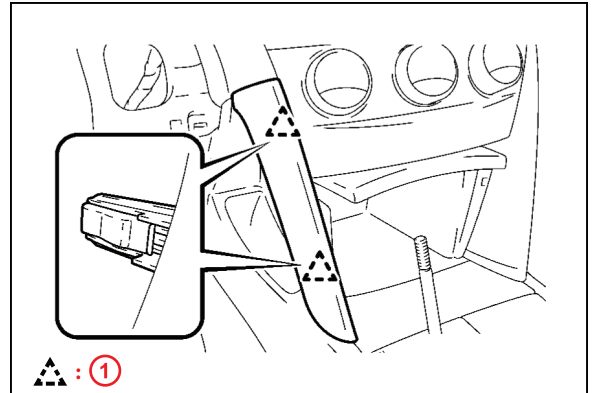


Center Console Door Will Not Open

Repair Procedure (Continued)

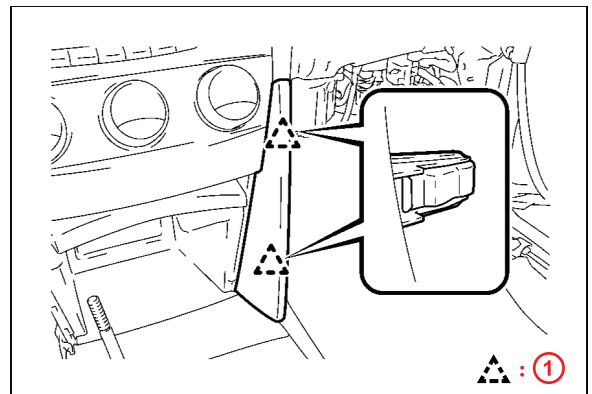
2. Remove the No. 1 and No. 2 instrument cluster finish panel garnish by disengaging the 2 clips.

Figure 2.



1	Clip
---	------

Figure 3.



1	Clip
---	------

Center Console Door Will Not Open

Repair Procedure (Continued)

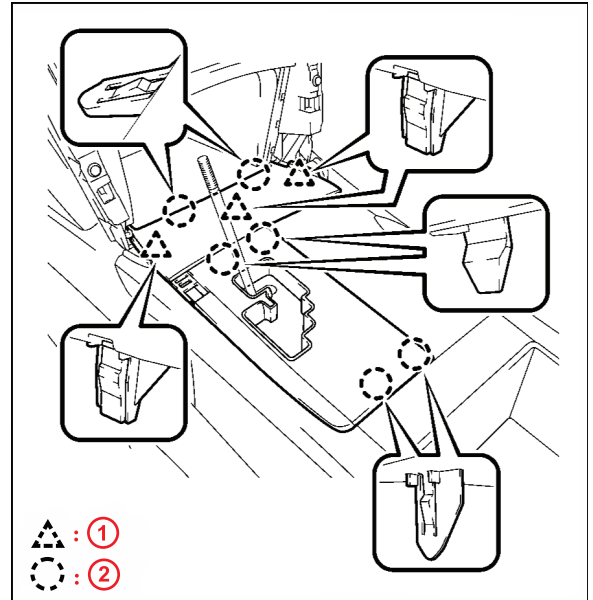
3. Remove the floor shift position indicator housing sub-assembly.

For automatic transaxle equipped vehicles, remove the floor shift position indicator housing sub-assembly.

- A. Disengage the 6 claws and 3 clips as shown.
- B. Disconnect Seat Heater connector, if equipped.

Disconnect each connector.

Figure 4.



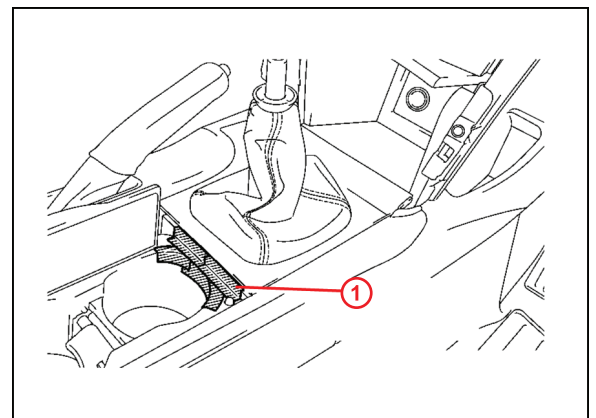
1	Clip
2	Claw

4. Remove the upper console panel.

For manual transaxle:

- A. Open the lid of the upper console panel.
- B. Apply protective tape to the area shown in the illustration.

Figure 5.



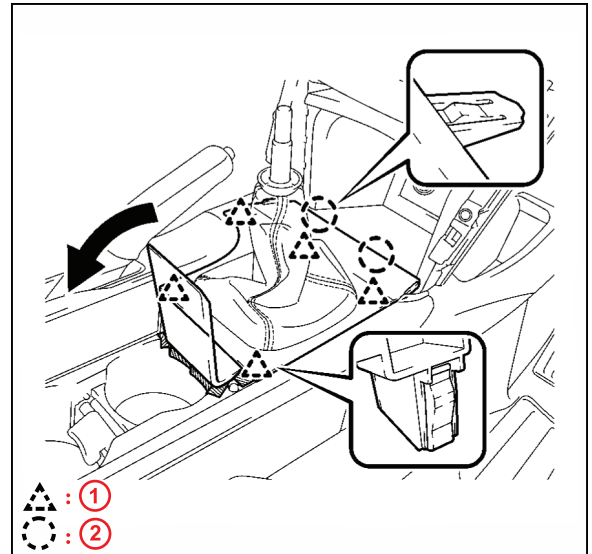
1	Protective Tape
---	-----------------

Center Console Door Will Not Open

Repair Procedure (Continued)

- C. Using a plastic pry tool, disengage the 2 claws and the 5 clips, and then remove the upper console panel as shown.

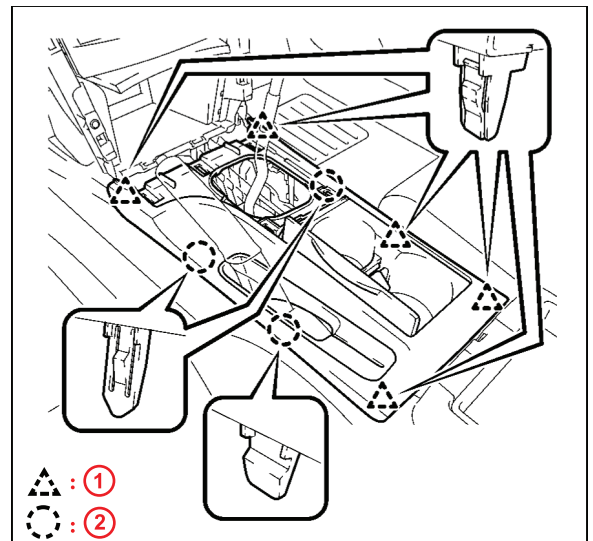
Figure 6.



1	Clip
2	Claw

5. Remove the upper console rear panel sub-assembly.
- A. Disengage the 3 claws and the 5 clips.
- B. Disconnect the connector and remove the upper console rear panel sub-assembly.

Figure 7.



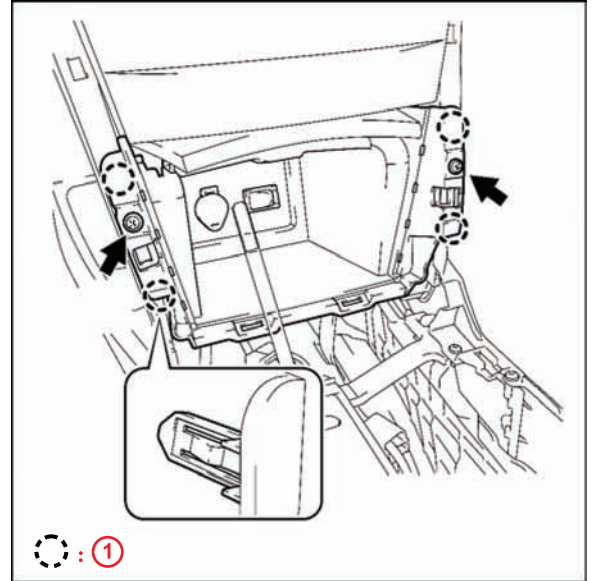
1	Clip
2	Claw

Center Console Door Will Not Open

Repair Procedure (Continued)

6. Remove the upper console panel sub-assembly.
 - A. Remove the 2 screws.
 - B. Disengage the 4 claws.
 - C. Disconnect each connector and remove the upper console panel sub-assembly.

Figure 8.



1	Claw
----------	-------------

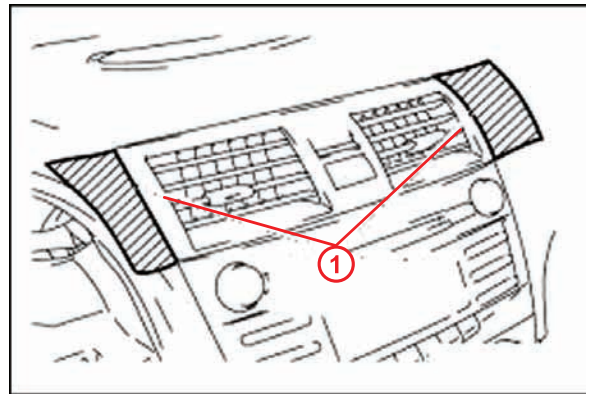
Center Console Door Will Not Open

Repair Procedure (Continued)

7. Remove instrument panel No. 2 register assembly.

A. Apply protective tape to the areas shown in the illustration.

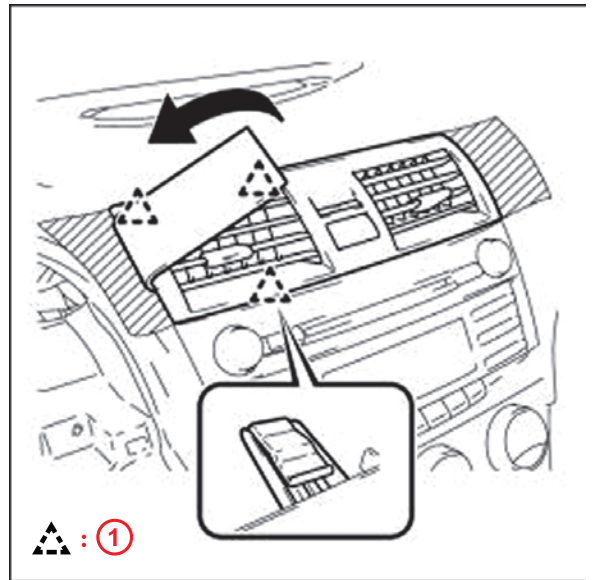
Figure 9.



1	Protective Tape
----------	------------------------

B. Using a molding remover, disengage the 3 clips.

Figure 10.



1	Clip
----------	-------------

Center Console Door Will Not Open

Repair Procedure (Continued)

- C. Using a molding remover, disengage the 4 clips.

Figure 11.



1	Clip
----------	------

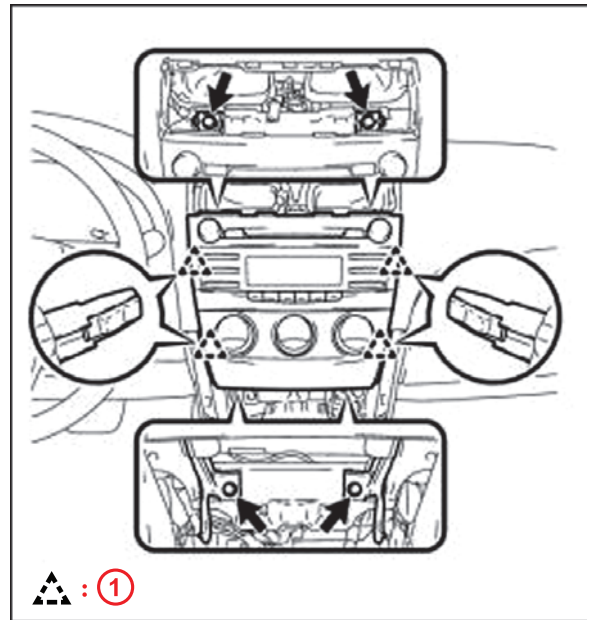
- D. Disconnect the connector and remove the instrument panel No. 2 register assembly.
- 8. Loosen the 4 radio bracket bolts.

Center Console Door Will Not Open

Repair Procedure (Continued)

9. While pulling upward on the Radio/HVAC unit tighten the 4 radio bracket bolts.

Figure 12.



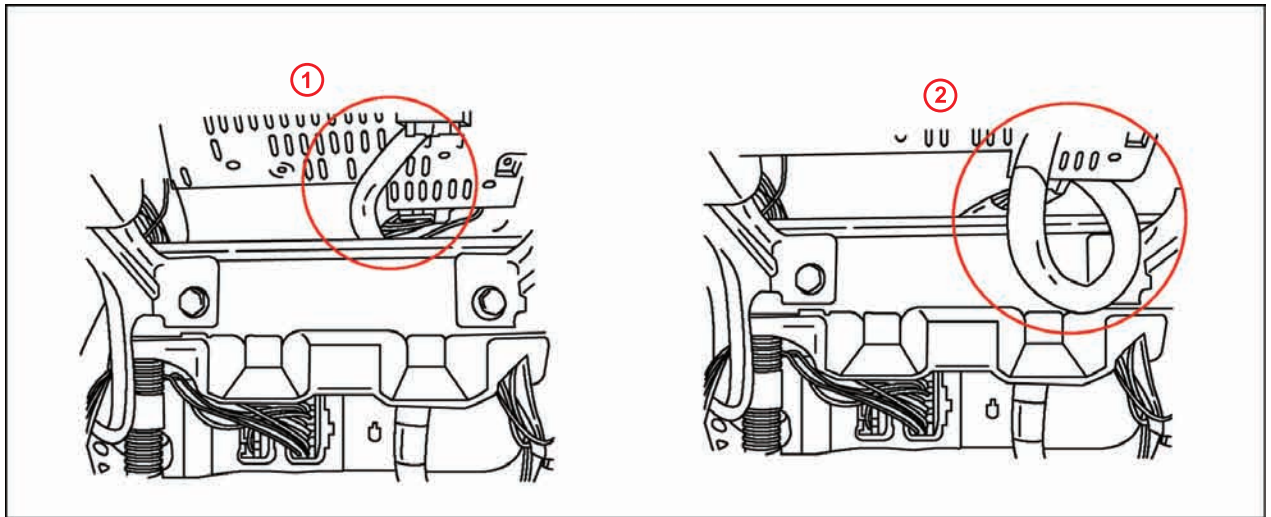
1	Bolt
----------	-------------

Center Console Door Will Not Open

Repair Procedure (Continued)

10. Confirm the correct routing of the HVAC control wire harness.

Figure 13.



1	Correct
2	Incorrect

11. Reassemble in reverse order of disassembly.
12. Verify the repair by ensuring the proper operation of the center console door.