

Front Power Seat Grinding / Groaning Noise

Service Category Vehicle Interior

Section Seat

Market USA

Toyota Supports
 ASE Certification 

Applicability

YEAR(S)	MODEL(S)	ADDITIONAL INFORMATION
2005 – 2009	Avalon	WMI(s): 4T1
2007 – 2009	Camry HV	WMI(s): 4T1
2002 – 2009	Camry	WMI(s): 4T1, 4T4
2009	Corolla	WMI(s): 1NX, 2T1
2005 – 2008	Sequoia	WMI(s): 5TD
2004 – 2008	Sienna	WMI(s): 5TD
2004 – 2008	Solara	WMI(s): 4T1
2005 – 2008	Tundra	WMI(s): 5TB, 5TF

Introduction

Some owners of North American produced (NAP) Toyota vehicles may complain that their front power seat makes a grinding/groaning noise when adjusting the seat forward or backward. To correct this condition and to enhance serviceability, an improved motor assembly is now available as a separate service part. Please refer to the repair procedure to address customer concerns.

Warranty Information

OP CODE	DESCRIPTION	TIME	OFF	T1	T2
BO8003	R & R Fore & Aft Seat Motor (Either side)	1.0	71200-#####	91	43
Combo A	Opposite Side	0.8			

APPLICABLE WARRANTY

- This repair is covered under the Toyota Comprehensive Warranty. This warranty is in effect for 36 months or 36,000 miles, whichever occurs first, from the vehicle's in-service date.
- Warranty application is limited to correction of a problem based upon a customer's specific complaint.

Front Power Seat Grinding / Groaning Noise

Parts Information

MODEL	MODEL YEAR	PREVIOUS PART NUMBER	CURRENT PART NUMBER	PART NAME	QTY
Avalon	2005–2009	N/A	85820-06080	Motor Assembly, Power Seat (LH)	1
Camry	2002–2009				1
Corolla	2009				1
Sequoia	2005–2007				1
Sienna	2004–2008				1
Solara	2004–2008				1
Tundra	2005–2006				1
Avalon	2005–2009				N/A
Camry	2002–2009	1			
Corolla	2009	1			
Sequoia	2005–2007	1			
Sienna	2004–2008	1			
Solara	2004–2008	1			
Tundra	2005–2006	1			
Tundra	2007–2008	N/A	85820-0C010	Motor Assembly, Power Seat (RH)	
Sequoia	2008				1
Tundra	2007–2008	N/A	85820-0C020	Motor Assembly, Power Seat (LH)	1
Sequoia	2008				1

Required Tools & Equipment

SPECIAL SERVICE TOOLS (SST'S)	PART NUMBER	QTY
Plastic Pry Tool Set*	00002-06000-01	1

* Essential SST.

NOTE

Additional SSTs may be ordered by calling SPX/OTC at 1-800-933-8335.

Front Power Seat Grinding / Groaning Noise

Repair Procedure

NOTE

This repair procedure is typical to most applications. Some differences may exist between models. Please refer to the appropriate section in the Repair Manual for additional details.

NOTICE

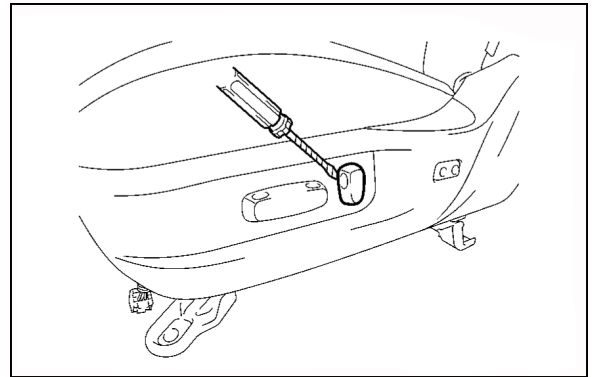
Seat motor/gear drive assembly **MUST** be replaced with the seat bolted to the floor to prevent misalignment of the left and right track guides.

1. Adjust the seat to the full rear position and remove the front bolts that hold the seat to the floor.
Remove any garnishes over the bolts if present.
2. Adjust the seat to the full forward position and remove the rear bolts that hold the seat to the floor.
Remove any garnishes over the bolts if present.
3. Using a screwdriver, remove the power reclining and slide switches.

HINT

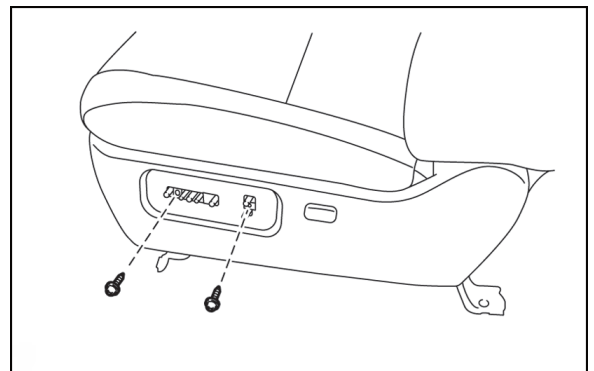
Tape the screwdriver tip before use.

Figure 1.



4. Remove the two screws that are behind the seat switches.

Figure 2.



Front Power Seat Grinding / Groaning Noise

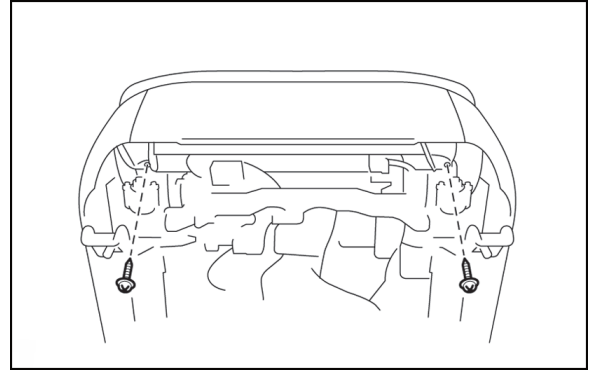
Repair Procedure (Continued)

- Remove the two screws at the front of the seat that holds the seat trim garnish in place.

HINT

Tip the seat back for easier access.

Figure 3.

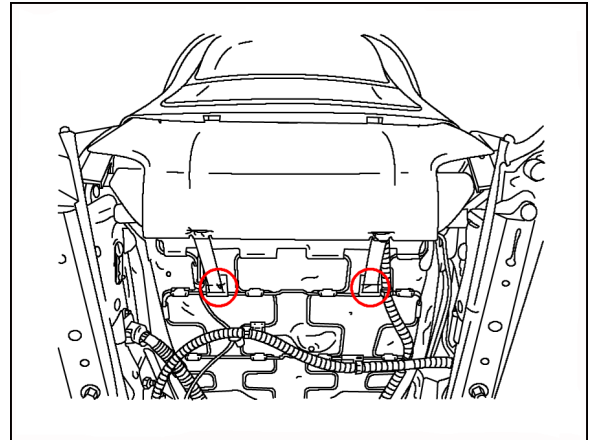


- Tip the seat forward and remove the straps securing the seat cover to the bottom of the seat.

HINT

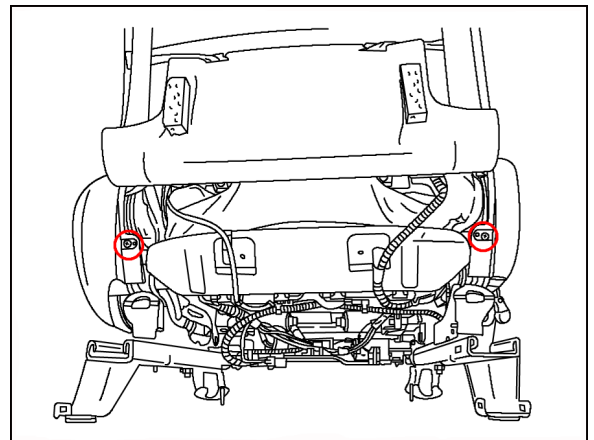
Remove the headrest and shift the entire seat towards the rear of the vehicle 6 inches (15.24 cm) to gain clearance to tip the seat.

Figure 4.



- Remove the two screws securing the seat trim garnish to the back of the seat.

Figure 5.



Front Power Seat Grinding / Groaning Noise

Repair Procedure (Continued)

8. Disconnect the electrical connector for the lumbar switch and remove the seat trim garnish.
9. Reinstall the seat to the floor and hand tighten all 4 mounting bolts to prevent the seat from moving.

NOTICE

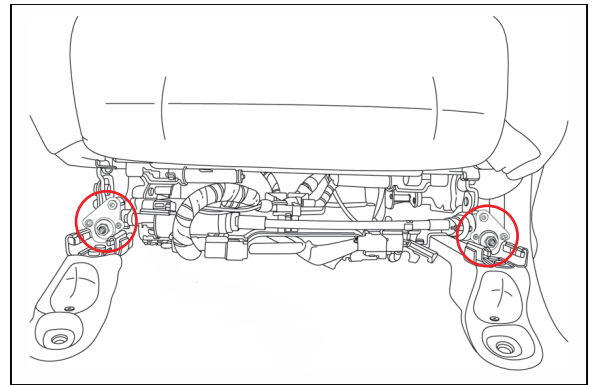
Seat motor/gear drive assembly MUST be replaced with the seat bolted to the floor to prevent misalignment of the left and right track guides.

10. With the seat in the full forward position, loosen the two 12-mm nuts at the front of the seat track as shown.

NOTE

Do NOT remove the nuts.

Figure 6.

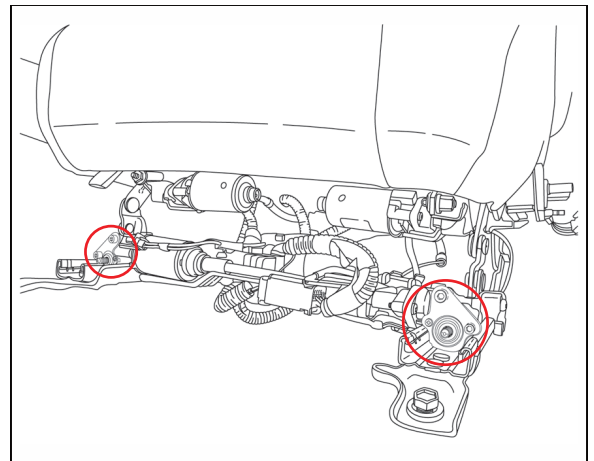


11. Move the seat to the full rear position, then remove the two nuts.
12. Remove the 4 allen bolts securing the motor gearboxes to the seat as shown.

NOTE

There are two bolts on each side.

Figure 7.



13. Disconnect the connector to the motor.
14. Remove the motor and gear box assembly.
15. Remove the two washers located behind the gearbox on each side.

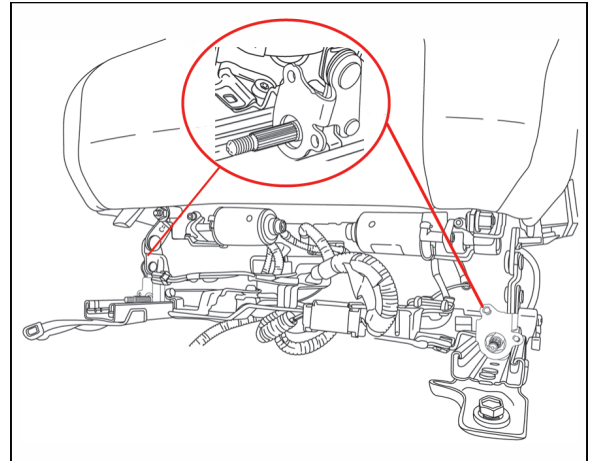
Front Power Seat Grinding / Groaning Noise

Repair Procedure (Continued)

16. Turn both splined shafts fully clockwise (1/4 turn or less) to take up any slack and align the shafts.

NOTE

In some instances, there may not be any slack.

Figure 8.

17. Install the NEW washers on the shafts and install the new motor/gearbox sub-assembly with the NEW hardware.

IMPORTANT

Proper torque is critical to component operation and longevity. Be sure to use an appropriate inch-pound torque wrench.

18. Torque the 4 allen screws.
Torque: 4 N*m (41 kgf*cm, 35 in*lbf)
19. Torque the 12-mm nuts.
Torque: 3.4 N*m (35 kgf*cm, 30 in*lbf)
20. Remove the bolts holding the seat to the floor.
21. Reassemble the remaining seat components in reverse order.
22. Reinstall the seat to the floor and replace any garnishes removed.
Torque: 37 N*m (377 kgf*cm, 27 ft*lbf)
23. Operate the seat several times to check for proper function and verify the noise is no longer present.